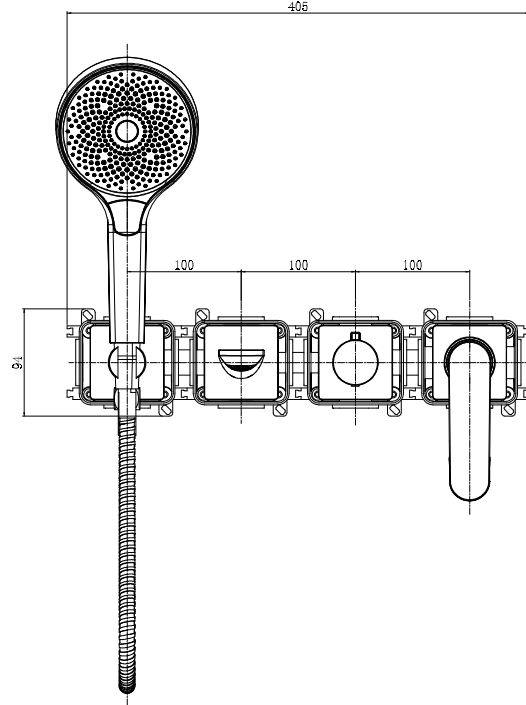
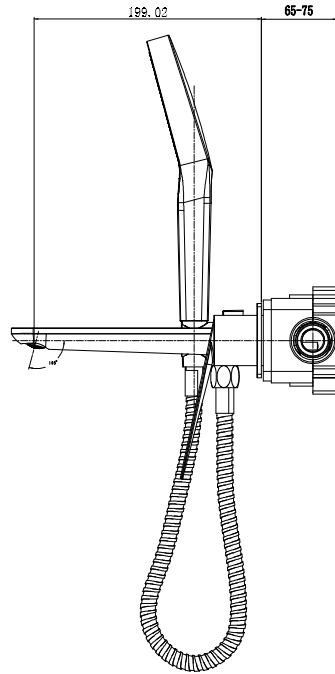
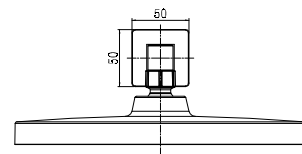
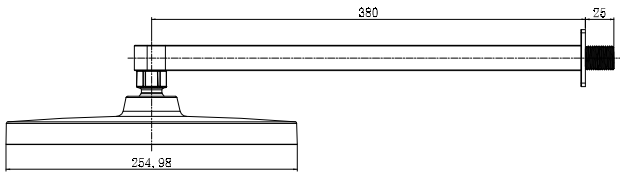
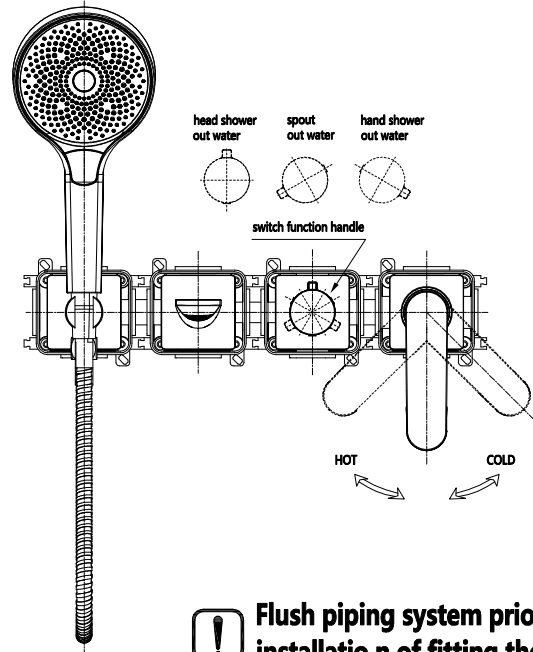
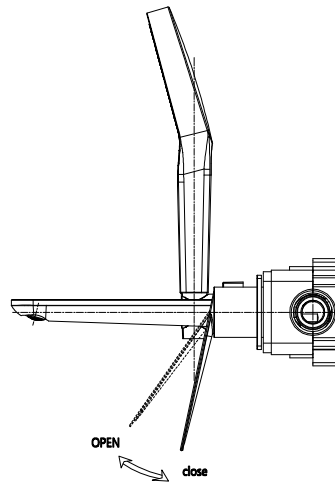


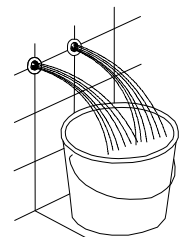
# Product size

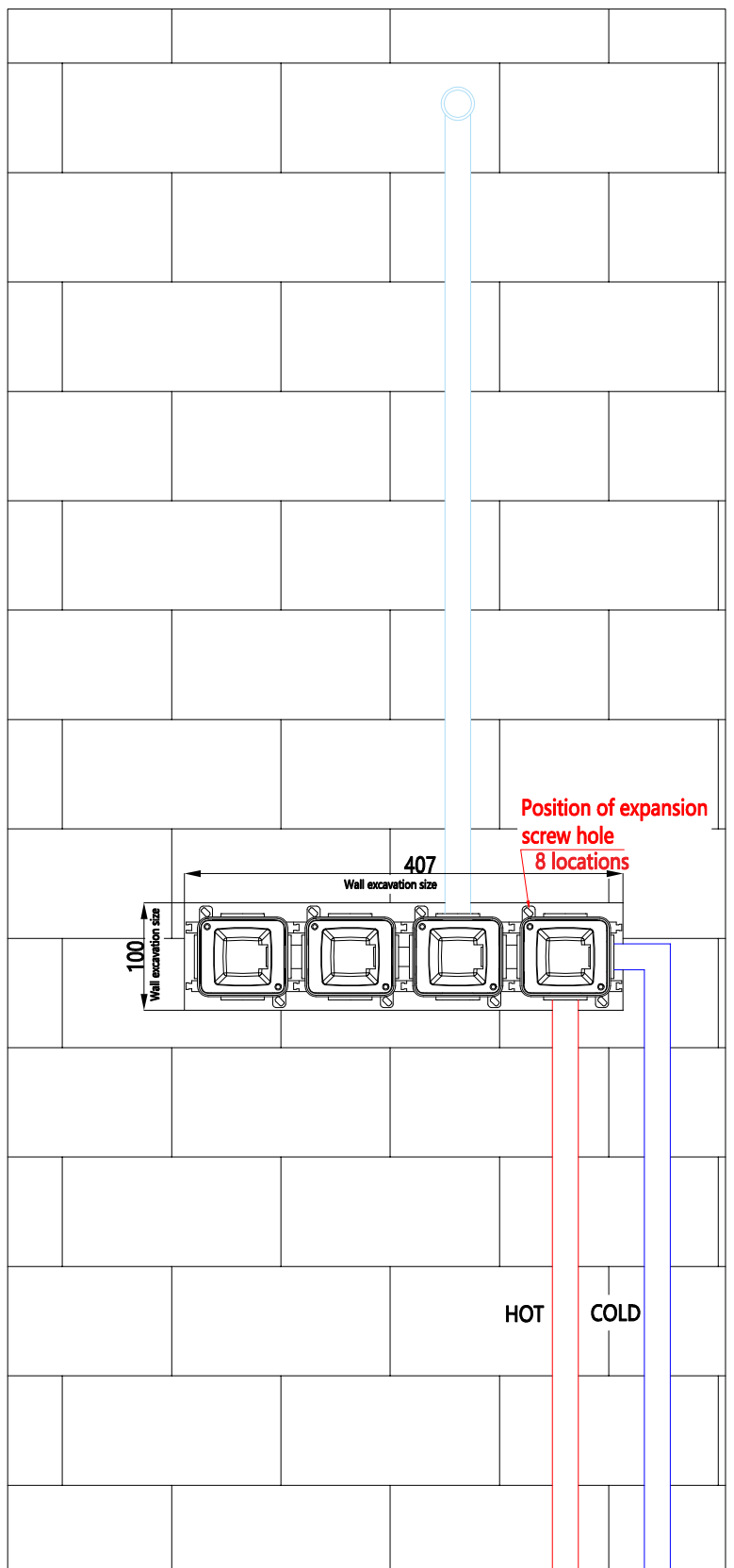
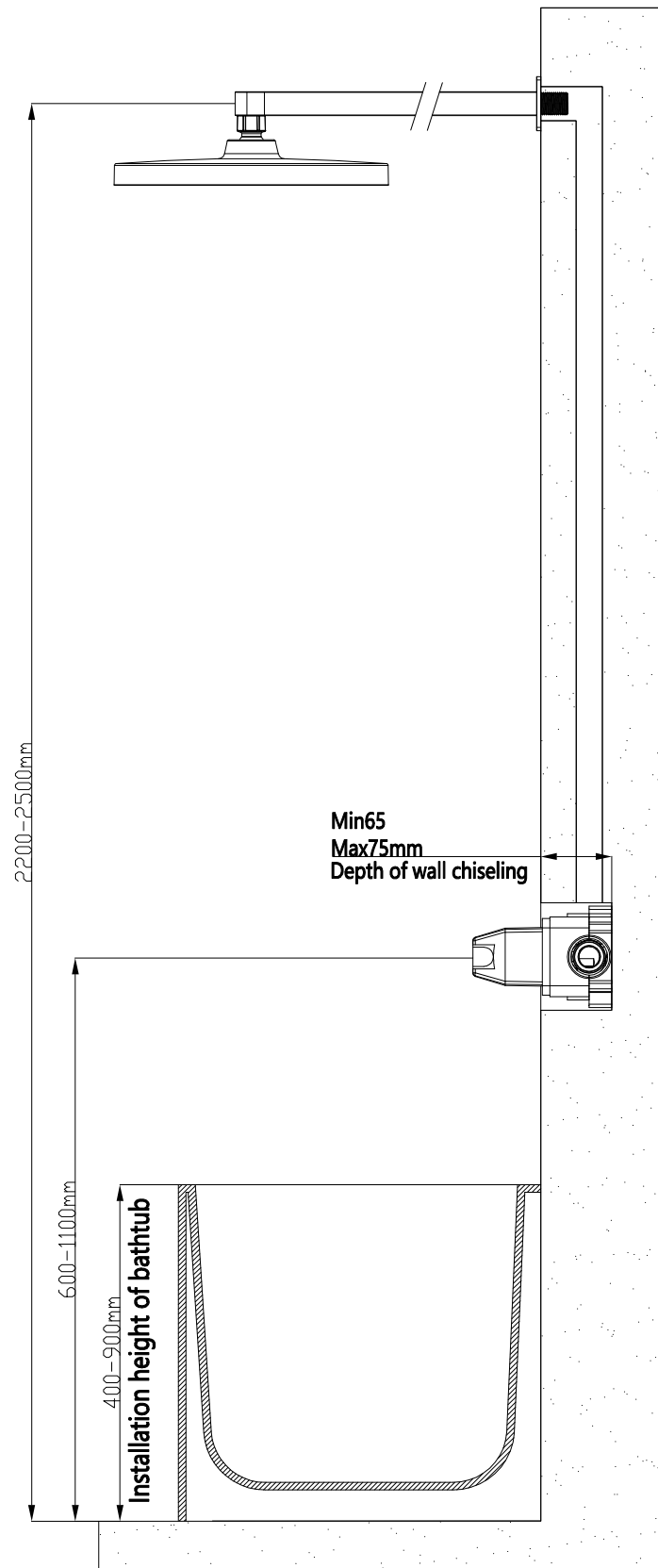


# Operating instructions

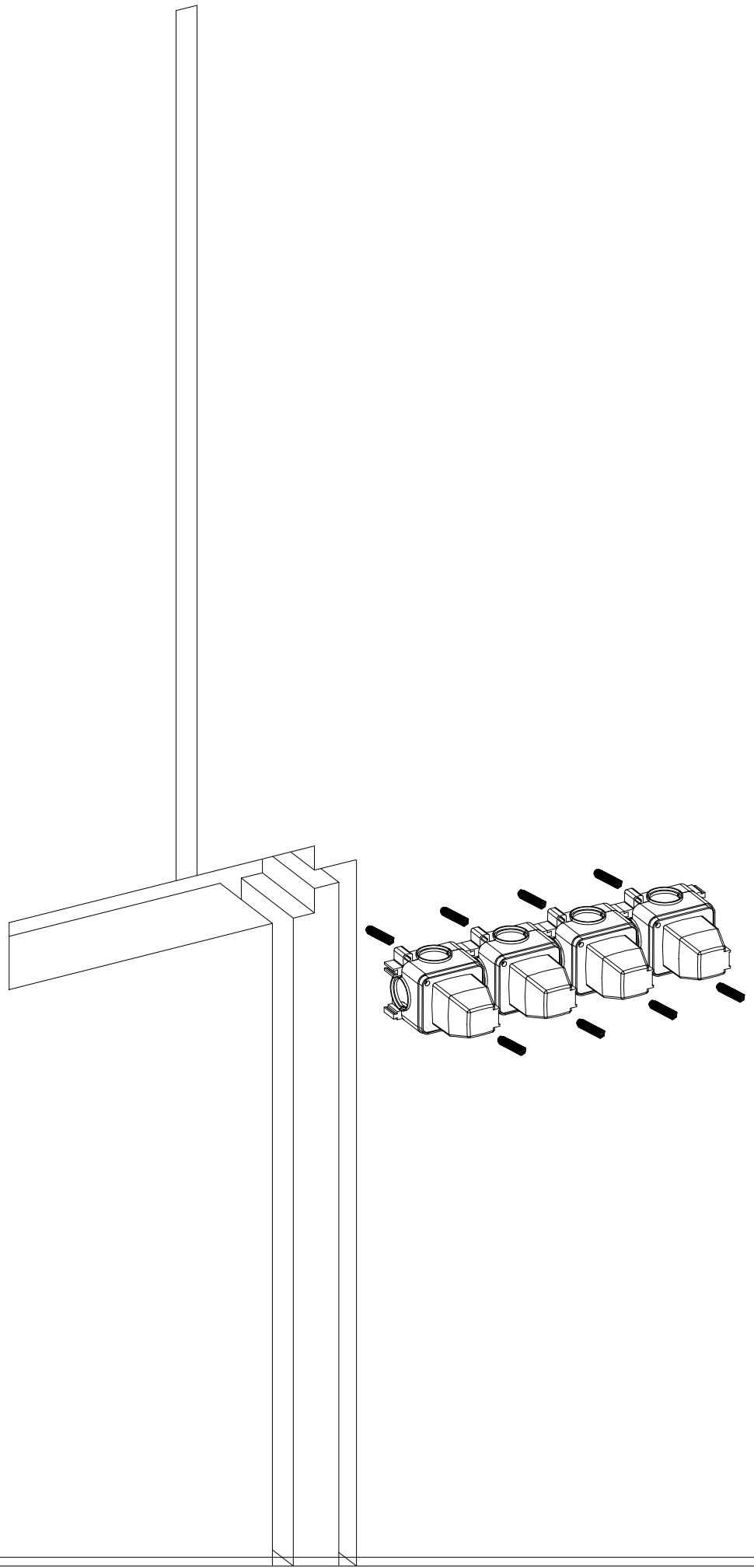


**!** Flush piping system prior and after installation of fitting thoroughly.

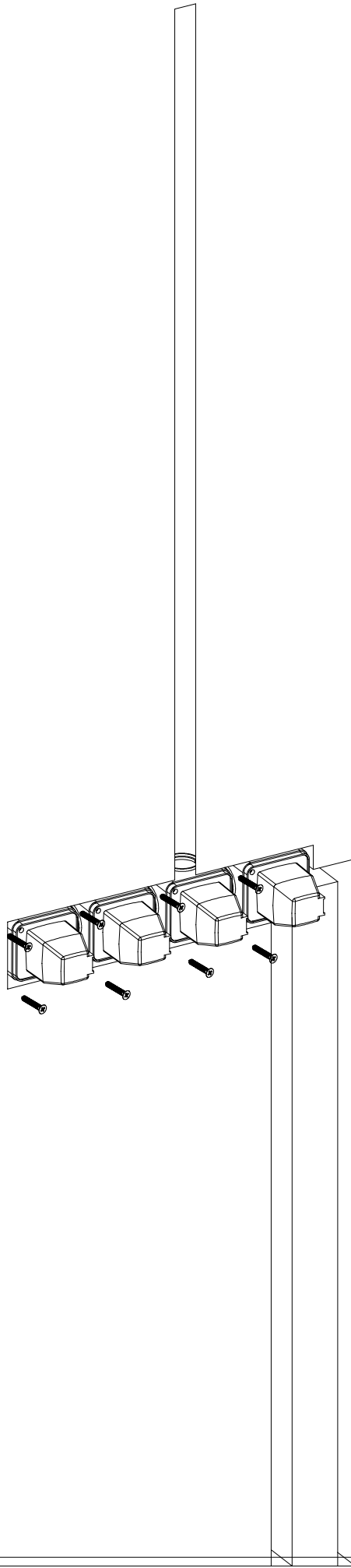




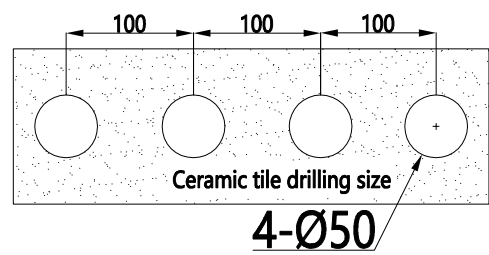
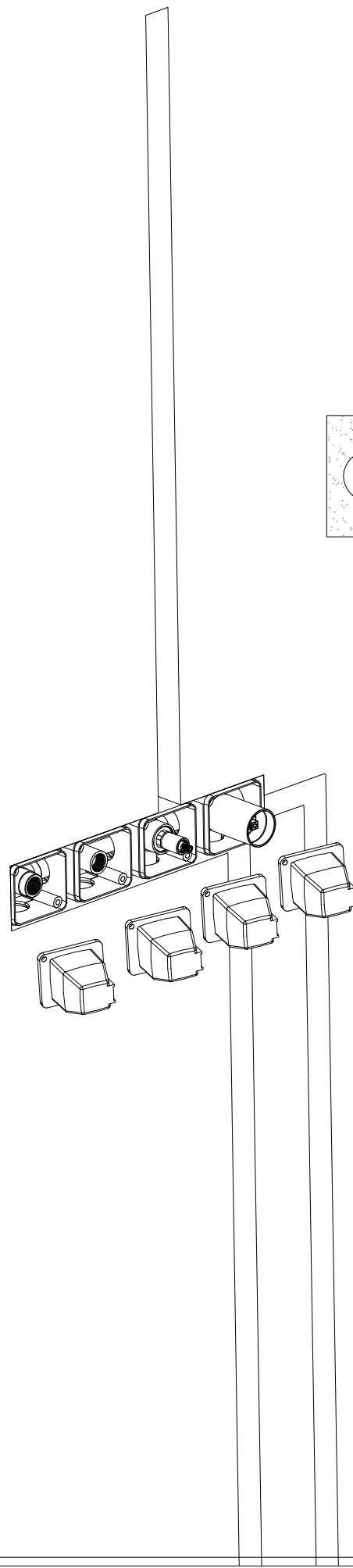
Wall slotting  
Install valve body



Locking valve body  
Install pipeline  
Check the seal  
Encapsulation wall



Remove the protective cover  
Install ceramic tiles

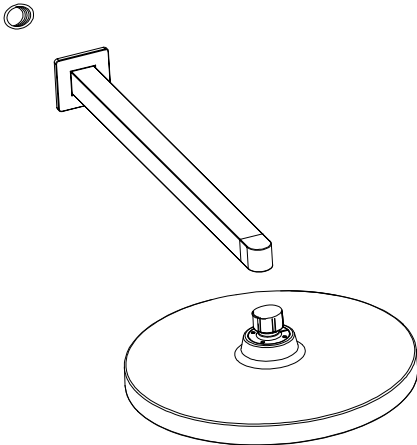


Install the water outlet

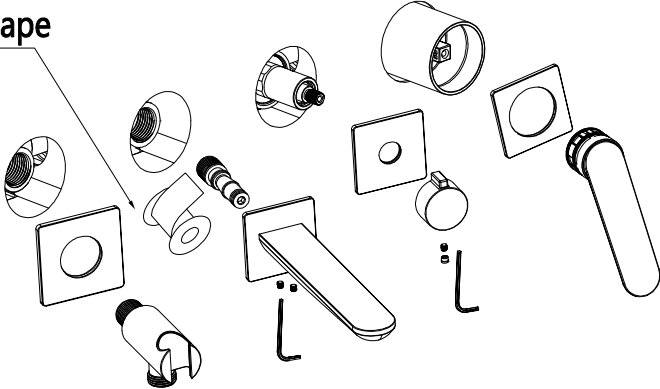
Install handle

Install handheld showerhead holder

Install the top spray nozzle



Sealing tape



Completion effect

